

Bourdon tube pressure gauges Model 101.00, with plastic capillary

WIKA data sheet SP 01.05

Applications

- For heating equipment and plants

Special features

- Extremely flexible
- Very simple to install (snap-in mounting)
- No further bending or coiling necessary
- Long-term tested



Bourdon tube pressure gauge model 101.00

Description

Nominal size in mm

27, 40

Accuracy class

2.5

Scale ranges

0 ... 4, 0 ... 6 bar

Pressure limitation

Steady: 3/4 x full scale value

Fluctuating: 2/3 x full scale value

Short time: full scale value

Operating temperature

Ambient: 0 ... +60 °C

Medium: +60 °C maximum

Temperature effect

When the temperature of the measuring system deviates from the reference temperature (+20 °C):

max. ± 0.4 %/10 K of the span

Standard version

Process connection

Via capillary, plastic (PE-RT, Polyethylene Raised Temperature), variable
Capillary length 150 ... 2000 mm

Pressure element

Cu-alloy

Movement

Cu-alloy

Dial

Plastic, white,
with pointer stop pin, black lettering

Pointer

Plastic, black

Case

Plastic, black
with snap-in mounting

Window

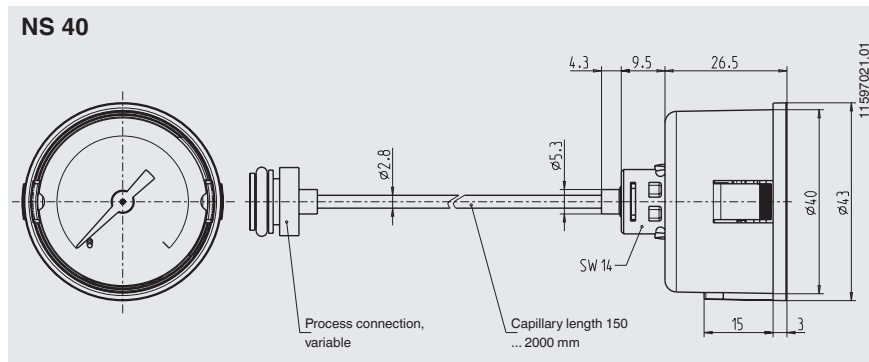
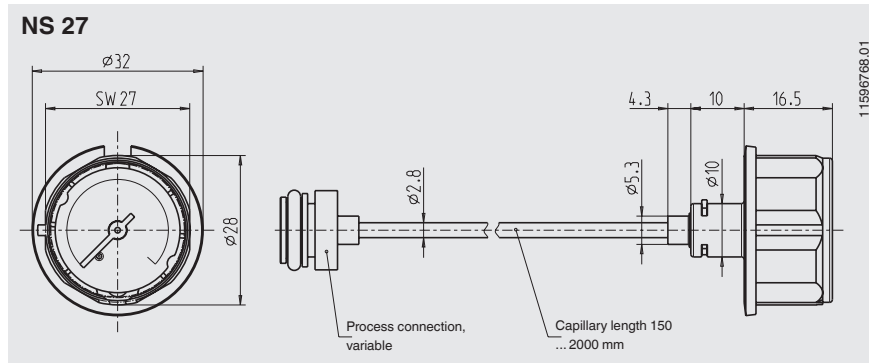
Plastic, crystal-clear, snap-fit in case

Options

- Other process connection

Dimensions in mm

Standard version



Ordering information

Model / Nominal size / Scale range / Process connection (capillary, capillary length) / Options

The specifications given in this document represent the state of engineering at the time of publishing.
We reserve the right to make modifications to the specifications and materials.

